



Diamond Rubber Products Co.

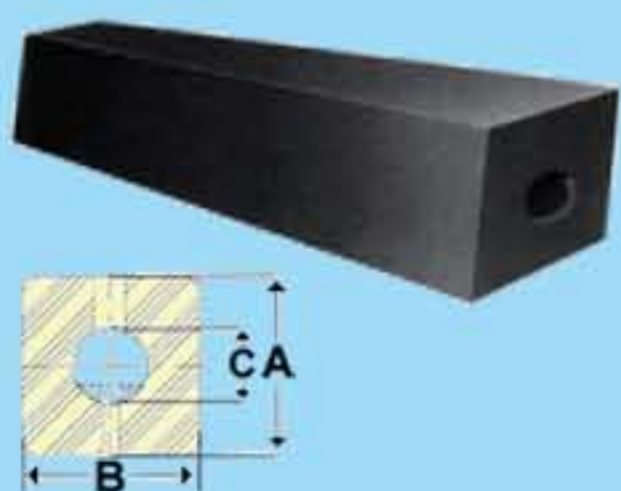
Rubber Products Manufacturer

4000 50th St. SW
P.O. Box 531164
Birmingham, AL 35221

Phone: 800.633.4592
Fax: 205.925.3793
URL: www.diamondrubber.com

Rectangle, hollow or solid

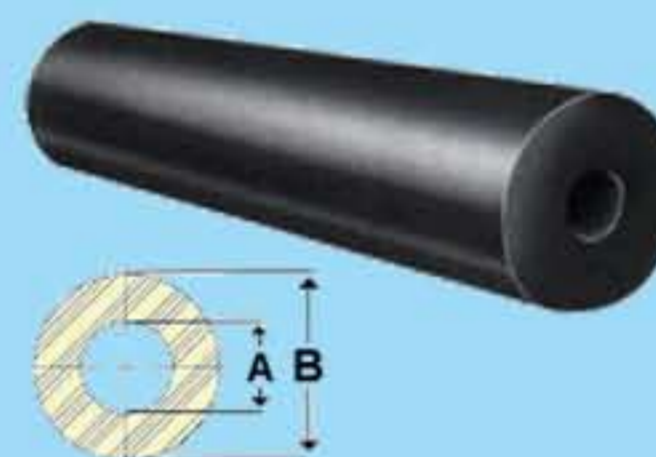
Mounted in any direction to provide great protection for docks and vessels. Design permits multiple drilling methods for best mounting.



Part Number	A	B	C
DRP-302	2"	4"	solid
DRP-303	3-1/2"	4-1-2"	1"
DRP-304	5"	5"	2-1/2"
DRP-305	5"	6-1/2"	2-1/2"
DRP-305A	5-1/2"	6"	2-1/2"
DRP-306	6"	6-1/2"	2-1/2"
DRP-306A	6"	6"	2-7/8"
DRP-306B	6"	7"	2-1/2"

Cylinder, hollow

Durable fenders in many varieties, cylindrical models can be secured with chains for maximum flexibility under many different conditions.



Part Number	A	B
DRP-202	1"	3"
DRP-203	1-1/2"	3"
DRP-205	2-1/2"	5"
DRP-206	3"	7"
DRP-207	3-1/2"	7"
DRP-208	4"	8"

We are always happy to quote new custom profiles as well.

If you do not see what you are looking for, let us know!

Remember: *If you can dream it, we can build it!*

For all of your fender and bumper needs, contact:

Orders@DiamondRubber.com

CustomerService@DiamondRubber.com



Diamond Rubber Products Co.

Rubber Products Manufacturer

4000 50th St. SW
P.O. Box 531164
Birmingham, AL 35221

Phone: 800.633.4592
Fax: 205.925.3793
URL: www.diamondrubber.com

Wing with O-shaped bore

Easily attached to boats and docks, these fenders can be drilled through the wings, avoiding holes or bolts on the outer surface.



Part Number	A	B	C	D
DRP-404	4"	1/2"	2-1/2"	1"
DRP-405	5"	1/2"	2-1/2"	1"
DRP-406	6"	3/4"	3"	1"
DRP-407	6-1/2"	1"	4"	2"
DRP-408	6-1/2"	1"	4"	1"
DRP-409	9"	1-1/2"	6"	3"
DRP-410	9-1/2"	1-1/2"	6"	2"

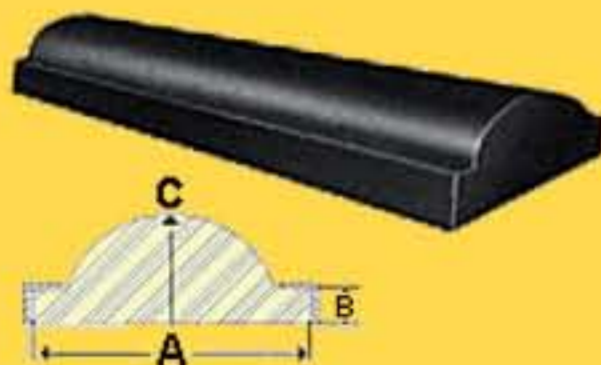
Fan-tail (with channels)

With a highly professional look and great function, the fan-tail bumper can be held onto any boat, dock, or truck with a metal channel, so no mounting holes are necessary.



Part Number	A	B	C	D
DRP-503	2-1/2"	17/32"	3"	5/8"
DRP-504	3-3/4"	25/32"	4-1/2"	3/4"
DRP-506	5-7/16"	1"	6"	1"
DRP-508	7-1/4"	1-3/16"	8"	1-1/2"

Wing-type - solid



Part Number	A	B	C
DRP-460	10"	1-1/4"	4"

Wing with D-shaped bore



Part Number	A	B	C	D
DRP-440	9-1/2"	1-1/2"	6"	1"

For all of your fender and bumper needs, contact:

Orders@DiamondRubber.com

CustomerService@DiamondRubber.com

D-bumper, squared

Our large D-shaped bumpers are very popular for a wide variety of applications. These general-purpose bumpers with a D-shaped bore can be pre-drilled for your convenience and easier mounting.



Part Number	A	B	C
DRP-954	4"	4"	2" x 2"
DRP-956	6"	6"	3" x 3"
DRP-958	8"	8"	4" x 4"

D-bumper, tapered

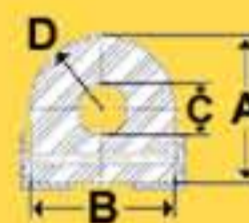
Still hollow and similar in style to our squared D-shaped bumpers, these tapered designs offer a varied look while maintaining the excellent quality of all of our D-bumpers. Specially designed for marine and industrial applications.



Part Number	A	B	C
DRP-101	3-7/8"	4-1/4"	3/4"
DRP-115	3-3/4"	4-1/2"	3/4"
DRP-125	6"	6-3/4"	1-1/2"
DRP-150	8"	9-1/4"	1-1/2"

D with O-shaped bore

These thick, rugged D-bumpers can be drilled across the base and mounted differently.



Part Number	A	B	C	D
DRP-906	6"	5"	2-1/2"	2-1/2"
DRP-908	8"	8"	3"	4"

Bar-Lock design

Specialized design for mounting on an existing metal frame; metal not included with this part.



Part Number	A	B	C
DRP-1103	3"	3-1/4"	1-9/32"
DRP-1104	4"	4-5/16"	3/4"

More than just bumpers and fenders . . .

We can produce the high-quality rubber parts you need.

For more information on our other product lines,

Call, fax, or email us today!



Diamond Rubber Products Co.

Rubber Products Manufacturer

4000 50th St. SW
P.O. Box 531164
Birmingham, AL 35221

Phone: 800.633.4592
Fax: 205.925.3793
URL: www.diamondrubber.com

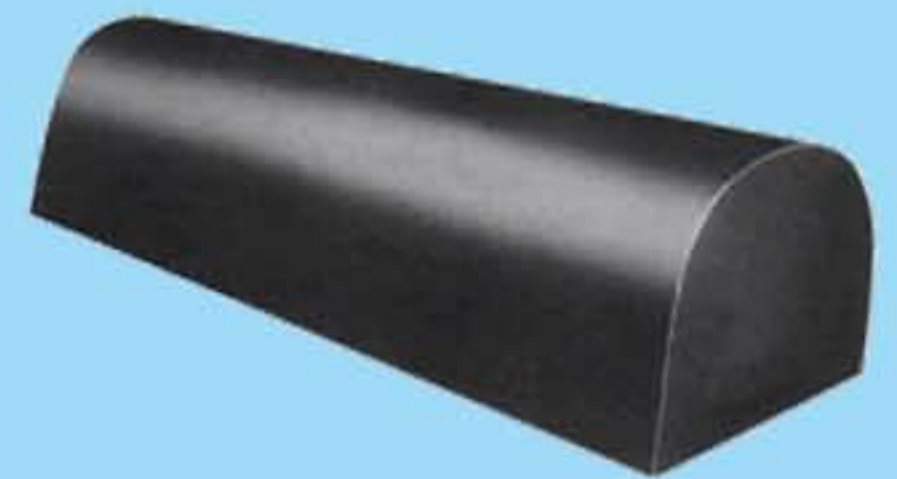
D-bumper, keyhole bore



Our smaller D-shaped bumpers are designed specifically for marine and industrial uses. Protecting small vessels, docks, trucks and other equipment, these are available hollow (with a "keyhole" bore) or in solid rubber.

Part Number		A	B	C
DRP-50	also D2	2"	2-1/8"	7/16"
DRP-75	also D3	2-7/8"	3-1/8"	11/16"
DRP-100	also D4	3-7/8"	4-1/4"	3/4"

D-bumper, solid core



Corner Joints

(available by request)

These corners fit snugly into the keyhole bumpers to create a smooth joint or an end cap.



For DRP-50	Use DRP-51
For DRP-75	Use DRP-76
For DRP-100	Use DRP-103

Flathead fender

(wing or channel mount)

Rectangular fenders mounted with winged base, so neither holes nor bolts are visible on the outer surface. Extremely professional appearance!



Part Number	A	B	C	D	E
DRP-1006	6-1/2"	1-11/16"	6"	7-3/8"	1-3/4"
DRP-1009	9"	2-29/32"	7-1/2"	9-7/16"	3"

For all of your fender and bumper needs, contact:

Orders@DiamondRubber.com

CustomerService@DiamondRubber.com